

FILTER TECHNOLOGY

Filter elements and apparatuses

Contamination negatively affects the uptime and performance of many processes. It is therefore often advisable to separate particles in advance to protect downstream equipment or elements.

Filter cartridges

With a wide range of different filter cartridges we can offer fitting elements for a diverse range of requirements. Depending on the design fine particles smaller than 1 μm or coarse particles of a few millimetres can be efficiently separated.

Our filters are normally designed with different exchangeable cartridges as pre-filters in front of our devices, such as coalescence separators, to protect them.

The cartridges can be adapted and developed specifically for your separation task. With cartridges from our own production we can meet special requirements with the best results.

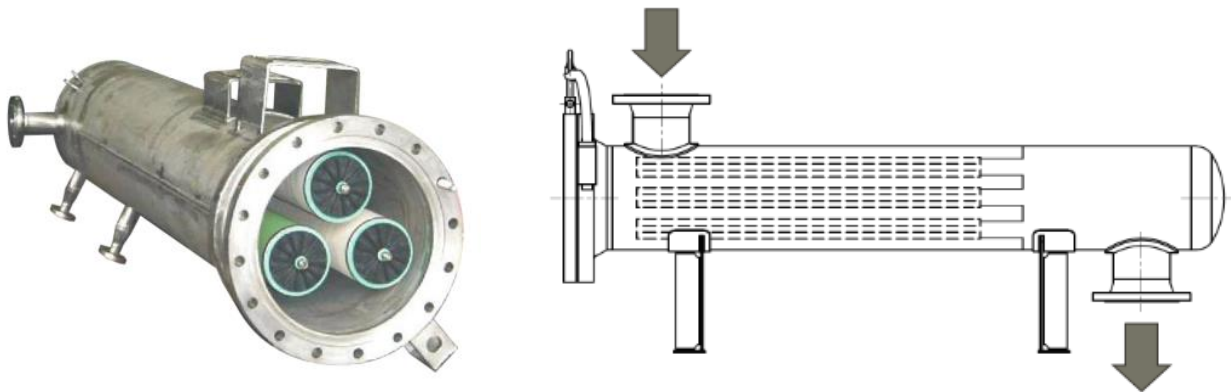


Picture 1: Filter cartridges with folded, impregnated special paper



Turnkey solutions

Filters can be a very important part of a process. They are deployed to specifically increase the operating time and performance of subsequent processes.



Picture 2: compact horizontal bypass filter with three filter elements

Our pre-filters are specifically designed to match our equipment and protect it from contamination.

If, for example, a larger number of particles are to be expected in a coalescence separator, a coarse pre-filter would be installed in order to protect the high-quality coalescence elements from clogging increasing the longevity significantly.

Further areas of application are the continuous protection from process impurities or usage of partial-flow filters, that clean a part of a process stream of ultra-fine particles down to less than 1 μm in size.



If you have any questions please do not hesitate to contact us. You can find us on the Internet at www.ALINO-IS.de.

AlinoIndustrieservice GmbH
Heidweg 6b-8
41334 Nettetal
Germany

Phone: +49 (0) 2157 / 8 95 79 91
Fax: +49 (0) 2157 / 8 95 79 93
E-Mail: mail@alino-is.de

Certified according to
DIN EN ISO 9001